



***Freedom to work  
the way you choose***

Multi-Level height adjustable table



**freesTand**™

matches your level of work

**Freestand** is an ergonomically designed height adjustable table that is versatile and adaptable to any work place. Electronically controlled height adjustment makes it suitable for varied work styles and personal preferences.

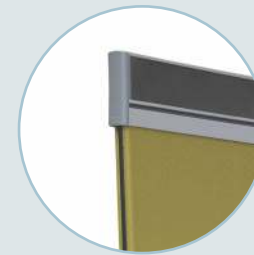


Table heights can be adjusted to suit standing position or higher seating positions.

**Features**

**Freestand** incorporates a host of features to make working easy and effortless for the user. It truly gives you the freedom to work the way you choose.

- Infinitely variable height adjustment
- Ergonomic design
- Provides more leg space
- Plug & play feature with built in wire for the motor including 3 pin (5 Amps) plug



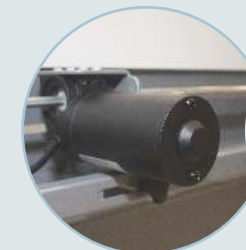
Pin up Strip / Accessory Rail



Intuitive touch panel with four user defined pre-set levels



Optional Privacy screen with choice of fabric or acrylic (transparent only).



Noiseless electric motor for smooth operation



Also available with manual cranking

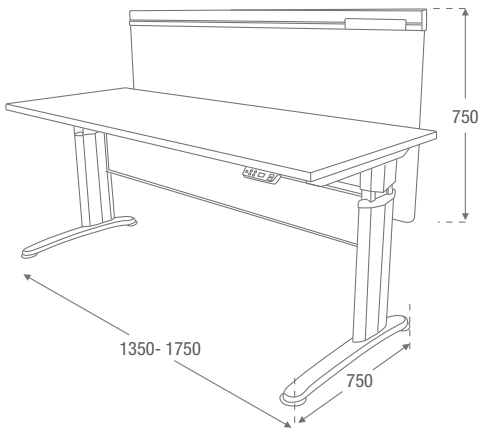
Freestand table height can be adjusted in infinite steps between 725mm at the lowest point to a maximum height of 1250mm. Typical table heights are shown below.



**Table specifications**

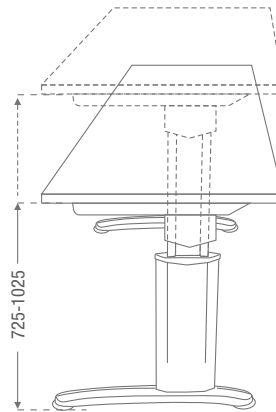
- Shape: Rectangular
- Construction: Legs, supports & cross beams are made of powder coated steel, table tops in pre-lam finish.

Dimensions			
Length	1350	1500	1750
Depth	750	750	750
Height	725-1025		



**Motor specifications**

- Power: 240V input
- Capacity: dynamic - 80kg / static – 120kg (under structure and table weight - 40kg)
- Stroke: 300mm
- Noise: < 48db
- Plug type: Indian standards



Important note: this table is not meant for lifting people or loads

All dimensions in mm

**Wipro Furniture Advantage**

Wipro Furniture provides design solutions that inspire, enhance productivity and creativity through

- A wide range of products for different applications
- Pan India presence - 26 sales offices and dealer network of 50+ dealers
- Designer products from international designers
- Optimised space solutions from a wide variety of modular designs
- Service commitment through designing solutions and developing products to suit customer needs
- Value added economic solutions
- Trustworthiness and reliability of Wipro



Wipro Enterprises Private Limited - **Furniture Business**

Doddakannelli, Sarjapur Road, Bangalore - 560035

Customer care number: 1800 425 1969

Write to us at [vibrant.solutions@wipro.com](mailto:vibrant.solutions@wipro.com)

Ahmedabad: +91 79 40073546, Bangalore: +91 80 40541237, Chandigarh: +91 172 2661355, Chennai: +91 9500088426  
 Cochin: +91 9387881504, Hyderabad: +91 40 27176082, Indore: +91 731 4023486, Kolkata: +91 33 22829268  
 Mumbai: +91 7406002777, Nagpur: +91 712 2233562, New Delhi: +91 11 41708122, Pune: +91 20 25535081  
 Vadodara: +91 8758856507