



wudmate™
the warmth of wood

Rediscover the elegance and utility of wood

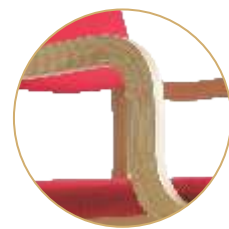


The wudmate chair - a unique blend of classic style and new age convenience. Made with natural and bio-degradable materials, the wudmate stands out in a world of synthetic materials - bringing an elegant and refreshingly different look.

A simple and sturdy chair, the wudmate is designed to provide perfect postural support and fits well into a variety of environments.

wudmate is soft and natural to touch and offers the unmatched comfort and warmth of wood.

The contoured arms are completely jointless providing greater strength and stability.



The waterfall edge design of the seat allows a knee position that does not constrict blood circulation, keeping you comfortable over long hours.

wudmate[™]
the warmth of wood



wudmate is upholstered with premium fabrics* which gives a rich and vibrant look. The well cushioned seat and back gives natural support for the back and body comfort.



Features

- Stackable space saving design
- Available with or without arms
- Green and eco-friendly product
- Choice of colours* for upholstery
- Well cushioned back and seat
- Easy to install - uses just 12 screws

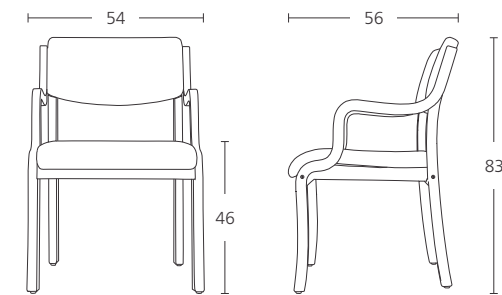
Portable do-it-yourself kit

The wudmate chair is designed as a simple do-it-yourself kit that is easy to assemble and disassemble. It comes in a convenient flat pack for easy portability and bulk transportation.

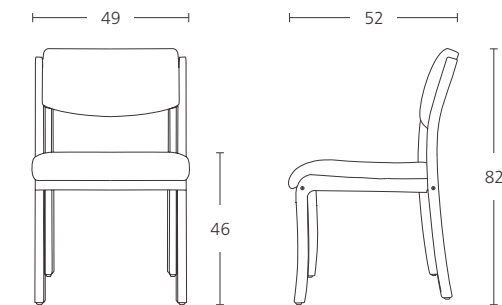


Chair dimensions

With arms



Without arms



All dimensions in mm

Application areas

- Offices • Libraries • Educational Institutions
- Reception areas • Conference halls
- Hotels • Restaurants

*Please refer to Wipro Seating shade card

Wipro Seating Advantage

Wipro Seating provides safe and healthy seating that enhances productivity through:



- Ergonomic designs for better user comfort
- Use of BIFMA* certified components
- Trendy and stylish range for different applications
- Trustworthiness and reliability of Wipro

*The Business and Institutional Furniture Manufacturer's Association

wudmate ordering code:

wudmate	Backrest Options	Mechanisms	Armrest Options select any one	Base Options	Fabric Options
WM	V Visitor	00	00 No armrest 11 Fixed armrest	00	XX

eg.: for selecting the code for wudmate with arms, mention WMV001100XX



Wipro Seating Manufacturing Facility

Wipro Limited, 120/1 Vellancherry Village, Guduvancherry, Chennai - 603 202

Wipro Consumer Care and Lighting Division - Furniture Business,

Block-C, 3rd Floor, Doddakannelli, Sarjapur Road, Bangalore - 560 035.

Tel.: 080-28440011. Fax: 080-28440057. email: vibrant.solutions@wipro.com

Ahmedabad: 9825316372, Bangalore: 9900664477, Baroda: 9925026099, Chandigarh: 9814350562, Chennai: 9841024643, Cochin: 9895708464, Coimbatore: 9895708464, Goa: 9561962002, Hubli: 9895708464, Hyderabad: 8008625050, Indore: 9425072138, Jaipur: 7742725365, Kolkata: 9903015566, Lucknow: 9425072138, Mumbai: 9769562628, Nagpur: 9960466866, New Delhi: 9818098113, Pune: 9822192284, Raipur: 9960466866

Authorised Dealer

